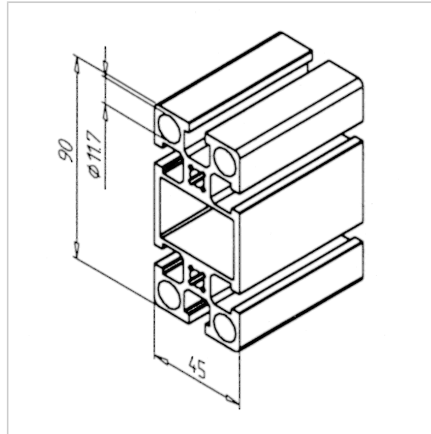


PROFILE 45X90

Code: 201009/0

Alu profile 45 x 90 for industrial use. Explore our aluminium profile system - strong, modular, and easy to assemble.

[Link to the product →](#)



Technical data/items supplied

- Aluminium, extruded, anodized E6/EV1
- $I_x = 113.205 \text{ cm}^4$
- $I_y = 28.584 \text{ cm}^4$
- $w_x = 25.156 \text{ cm}^3$
- $w_y = 12.704 \text{ cm}^3$
- $IT = 65.358 \text{ cm}^4$
- Weight = 3.667 kg/m
- Bar length = 6 m
- Packing unit = 24 m

Applications

- General heavy duty construction
- 4 cavities for compressed air piping
- Cavity is not suitable for counterweights

Assembly

- MiniTec power-lock fastener
- Angle 25 / 45 / 90
- Bolt connector
- The $\varnothing 11.7 \text{ mm}$ holes can be bored with G 1/4 for holding screw plugs or pneumatic connections
- Lateral connections G 1/8" direct into the profile