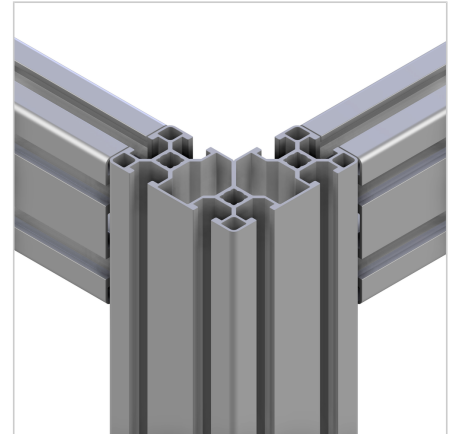
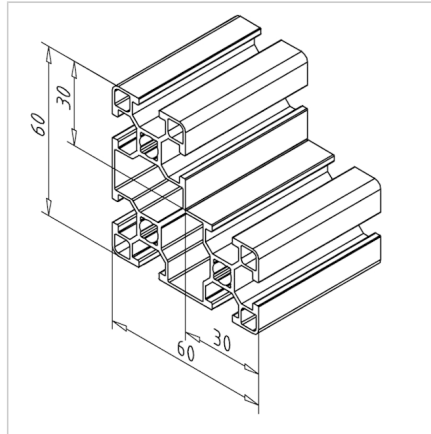
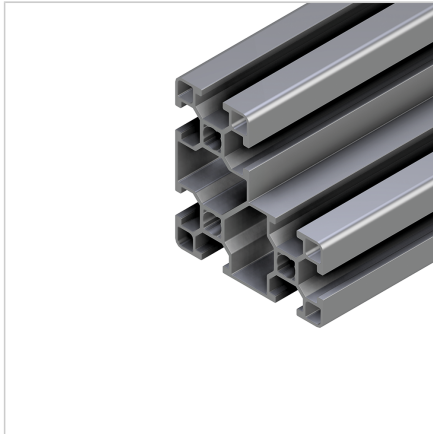


PROFILE 60X60X30

Code: 200982/0

Alu profile 60 x 60 x 30 for industrial use. Explore our aluminium profile system – strong, modular, and easy to assemble.

[Link to the product →](#)



Technical data/items supplied

- Aluminium, extruded, anodized E6/EV1
- $I_x = 19.107 \text{ cm}^4$
- $I_y = 19.107 \text{ cm}^4$
- $w_x = 5.572 \text{ cm}^3$
- $w_y = 5.572 \text{ cm}^3$
- $IT = 38.198 \text{ cm}^4$
- Weight = 1.534 kg/m
- Bar length = 6 m
- Packing unit = 36 m

Applications

- Weight optimized constructions
- Tables
- Framework constructions
- Display windows, showcases

Assembly

- Power-lock fastener 30 / N 30
- Screw connection 30
- Angle 16 / 30
- Attaching accessories with sliding nut 30 M4 / M5 / M6 / M8
- Connecting plate 60x60x30 **part no.** [210038/0](#)