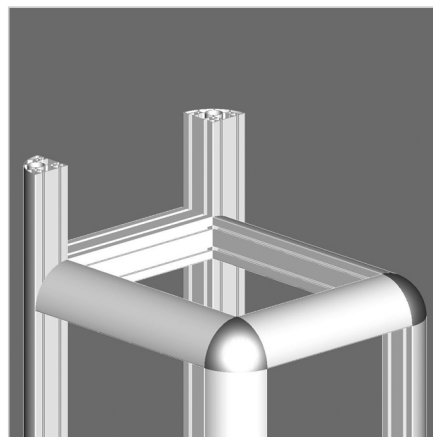
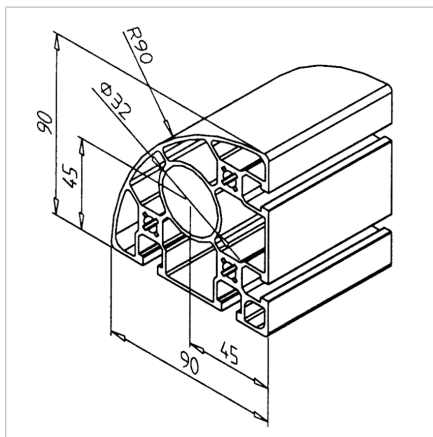


PROFILE 90 R 90°

Code: 201091/0

Alu profile 90 R 90° for industrial use. Explore our aluminium profile system – strong, modular, and easy to assemble.

[Link to the product →](#)



Technical data/items supplied

- Aluminium, extruded, anodized E6/EV1
- $I_x = 113.389 \text{ cm}^4$
- $I_y = 113.389 \text{ cm}^4$
- $w_x = 21.874 \text{ cm}^3$
- $w_y = 21.874 \text{ cm}^3$
- $IT = 378.600 \text{ cm}^4$
- Weight = 4.265 kg/m
- Bar length = 6 m
- Packing unit = 12 m

Applications

- Tables, frames
- All kinds of constructions

Assembly

- MiniTec power-lock fastener
- Angles
- Bolt connector
- End cap, **part no. 220988/1**
- Connecting plate M10 - M20
- Corner Connection 90 R 90°