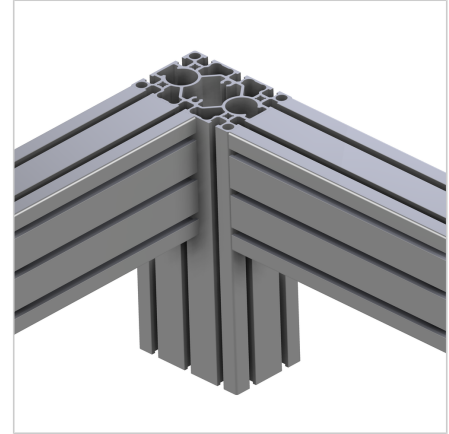
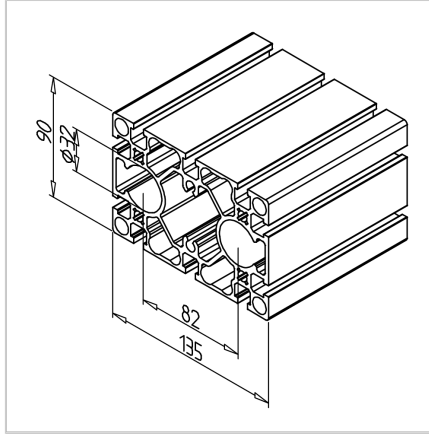
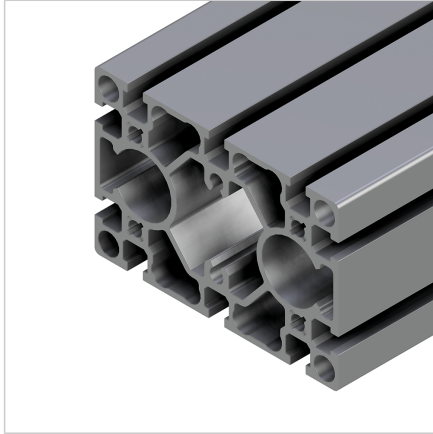


## PROFILE 90X135

Code: 201148/0

Alu profile 90 x 135 for industrial use. Explore our aluminium profile system – strong, modular, and easy to assemble.

[Link to the product →](#)



### Technical data/items supplied

- Aluminium, extruded, anodized E6/EV1
- $I_x = 286.480 \text{ cm}^4$
- $I_y = 631.058 \text{ cm}^4$
- $w_x = 63.662 \text{ cm}^3$
- $w_y = 93.490 \text{ cm}^3$
- $IT = 1276.884 \text{ cm}^4$
- Weight = 8.992 kg/m
- Bar length = 6 m
- Packing unit = 6 m

### Applications

- Central bore Ø 32 mm for ball-bushings LME 20, for ball-bearings 6201 or 6002, for compressed air piping or guiding of hydraulic add-in cylinders
- Linear guides LB as slide
- All types of heavy constructions

### Assembly

- Screw connection
- MiniTec power-lock fastener
- Mounting bracket 45 or 90