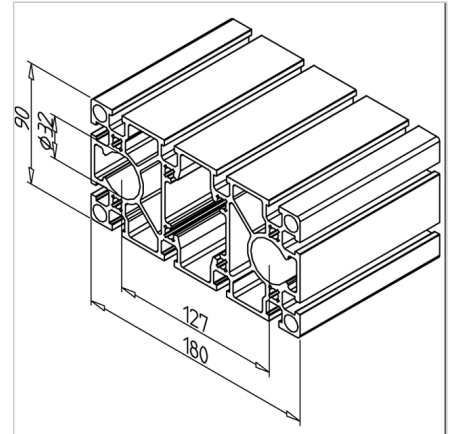
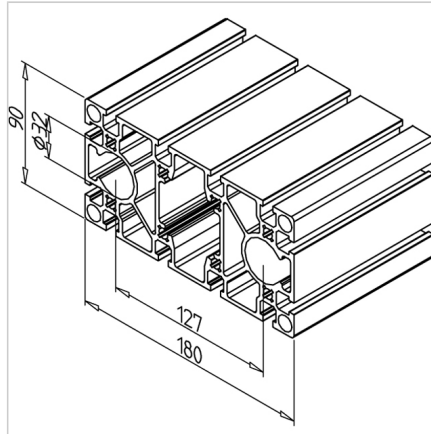
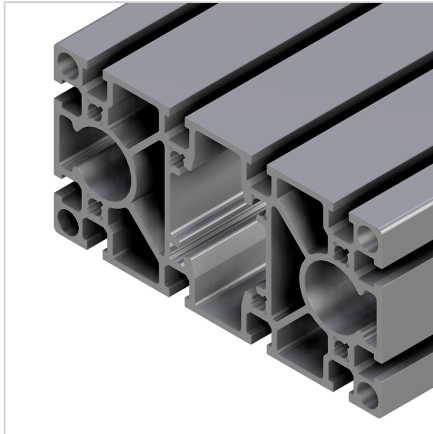


PROFILE 90X180 S

Code: 201013/0

Alu profile 90 x 180 S for industrial use. Explore our aluminium profile system - strong, modular, and easy to assemble.

[Link to the product →](#)



Technical data/items supplied

- Aluminium, extruded, anodized E6/EV1
- $I_x = 376.784 \text{ cm}^4$
- $I_y = 1421.865 \text{ cm}^4$
- $w_x = 83.729 \text{ cm}^3$
- $w_y = 157.983 \text{ cm}^3$
- $IT = 2023.299 \text{ cm}^4$
- Weight = 11.482 kg/m
- Bar length = 6 m
- Packing unit = 6 m

Applications

- All types of heavy constructions
- Linear guides LB as slide
- Central bore Ø 32 mm for ball-bushings LME 20, for ball-bearings 6201 or 6002, for compressed air piping or guiding of hydraulic add-in cylinders

Assembly

- MiniTec power-lock fastener
- Mounting bracket 45 or 90
- Screw connection