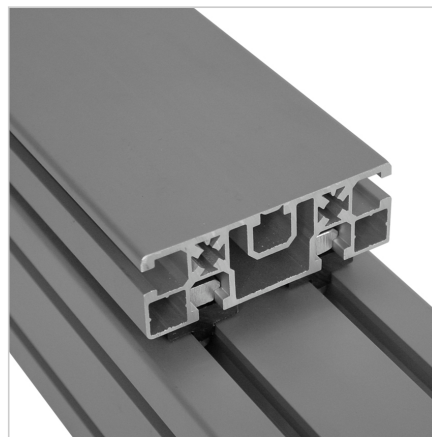
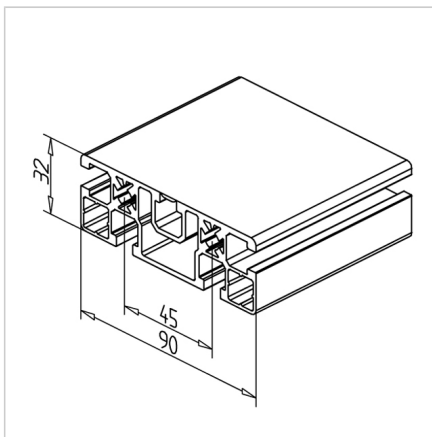
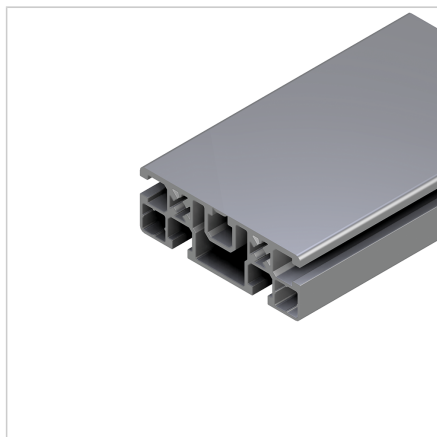


PROFILE 90X32 UL

Code: 201066/0

Alu profile 90 x 32 for industrial use. Explore our aluminium profile system - strong, modular, and easy to assemble.

[Link to the product →](#)



Technical data/items supplied

- Aluminium, extruded, anodized E6/EV1
- $I_x = 10.627 \text{ cm}^4$
- $I_y = 64.889 \text{ cm}^4$
- $w_x = 5.832 \text{ cm}^3$
- $w_y = 14.34 \text{ cm}^3$
- $IT = 25.108 \text{ cm}^4$
- Weight = 2.464 kg/m
- Bar length = 6 m
- Packing unit = 36 m

Applications

- All types of constructions, with a closed profile side
- Weight-optimized constructions
- Tables
- Frames
- Safety equipment

Assembly

- MiniTec power-lock fastener
- Screw connection
- Closed grooves can be opened with the groove opener **part no. 260815/0** to the desired length
- Angles