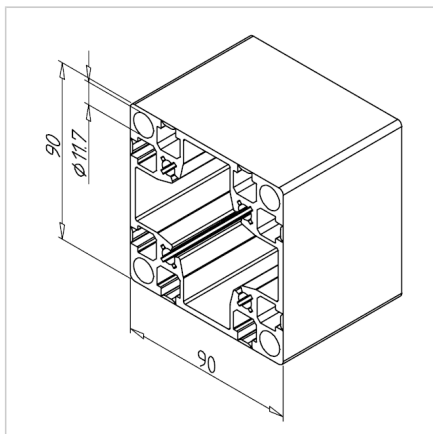
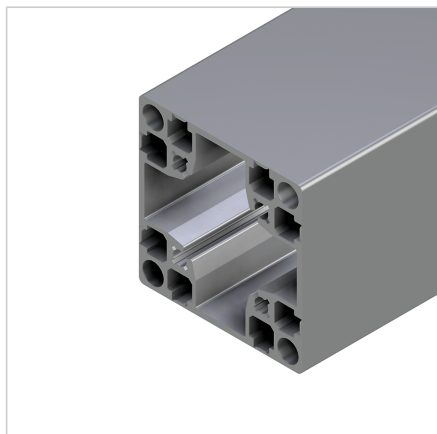


PROFILE 90X90 G

Code: 201082/0

Alu profile 90 x 90 G for industrial use. Explore our aluminium profile system – strong, modular, and easy to assemble.

[Link to the product →](#)



Technical data/items supplied

- Aluminium, extruded, anodized E6/EV1
- $I_x = 195.271 \text{ cm}^4$
- $I_y = 195.271 \text{ cm}^4$
- $w_x = 43.393 \text{ cm}^3$
- $w_y = 43.393 \text{ cm}^3$
- $IT = 723.070 \text{ cm}^4$
- Weight = 5.329 kg/m
- Bar length = 6 m
- Packing unit = 12 m

Applications

- Grooves expandable
- All types of constructions, specifically for high hygiene requirements in the food industry, medical technology, bottling of beverages
- Guide for internal counterweights in a central hollow chamber

Assembly

- MiniTec power-lock fastener
- Closed grooves can be opened with the groove opener **part no. 260815/0** to the desired length