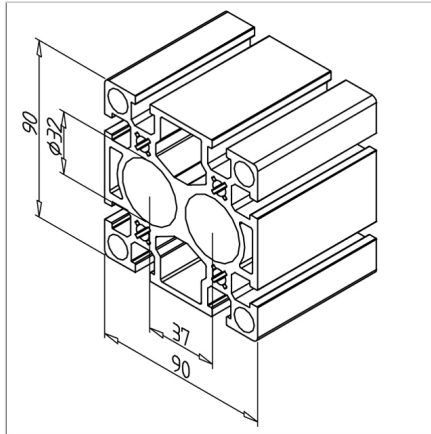
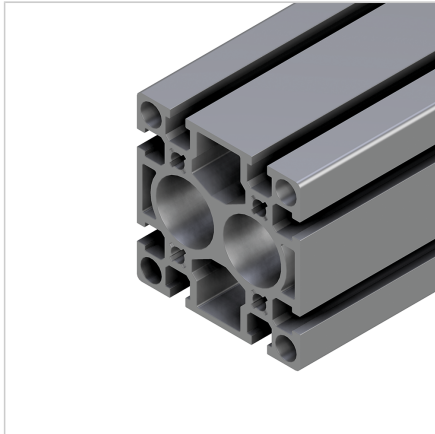


PROFILE 90X90 S

Code: 201019/0

Alu profile 90 x 90 S for industrial use. Explore our aluminium profile system – strong, modular, and easy to assemble.

[Link to the product →](#)



Technical data/items supplied

- Aluminium, extruded, anodized E6/EV1
- $I_x = 208.888 \text{ cm}^4$
- $I_y = 223.949 \text{ cm}^4$
- $w_x = 46.419 \text{ cm}^3$
- $w_y = 49.766 \text{ cm}^3$
- $IT = 569.423 \text{ cm}^4$
- Weight = 7.514 kg/m
- Bar length = 6 m
- Packing unit = 12 m

Applications

- All types of heavy constructions
- Linear guides LB as slide
- Central bore $\text{Ø } 32 \text{ mm}$ for ball-bushings LME 20, for ball-bearings 6201 or 6002, for compressed air piping or guiding of hydraulic add-in cylinders

Assembly

- MiniTec power-lock fastener
- Mounting bracket 45 or 90
- Screw connection