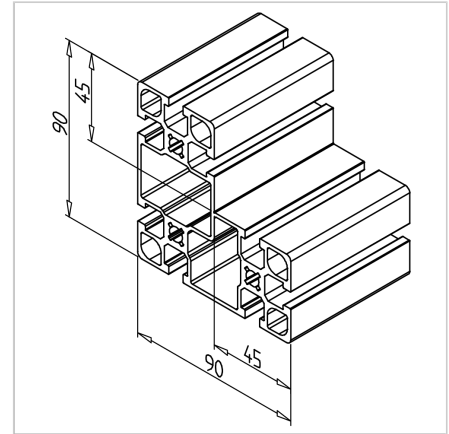
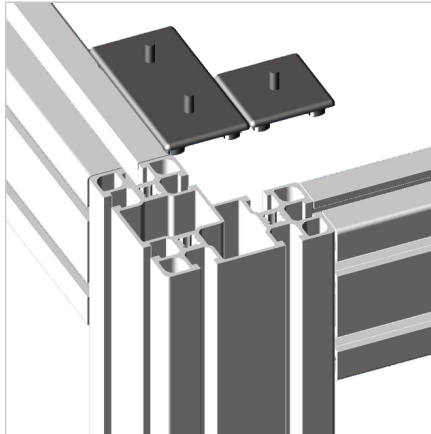


PROFILE 90X90X45

Code: 200984/0

Alu profile 90 x 90 x 45 for industrial use. Explore our aluminium profile system – strong, modular, and easy to assemble.

[Link to the product →](#)



Technical data/items supplied

- Aluminium, extruded, anodized E6/EV1
- $I_x = 127.588 \text{ cm}^4$
- $I_y = 127.459 \text{ cm}^4$
- $w_x = 24.971 \text{ cm}^3$
- $w_y = 24.895 \text{ cm}^3$
- $IT = 182.588 \text{ cm}^4$
- Weight = 4.458 kg/m
- Bar length = 6 m
- Packing unit = 12 m

Applications

- All kinds of constructions
- Tables
- Display windows, showcases
- Framework constructions
- One chamber can be used to guide counterweight 45

Assembly

- MiniTec power-lock fastener
- Screw connection
- Mounting bracket 45 or 90
- Base and transport plate 90x90x45 **part no. 212505/0**