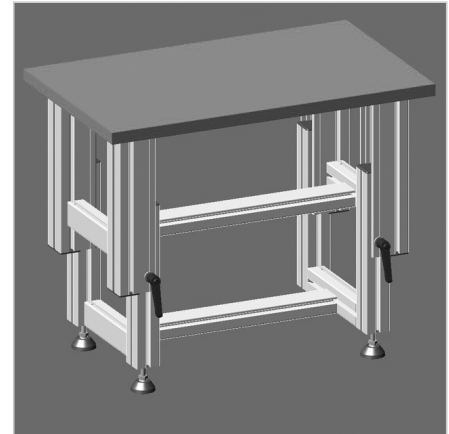
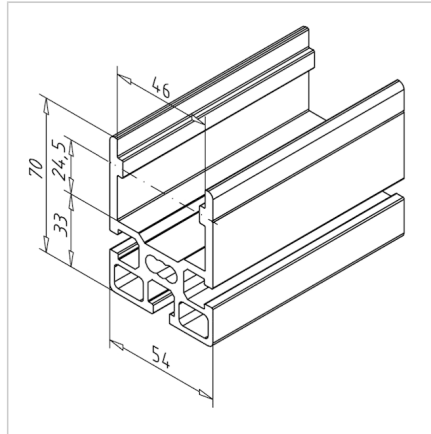
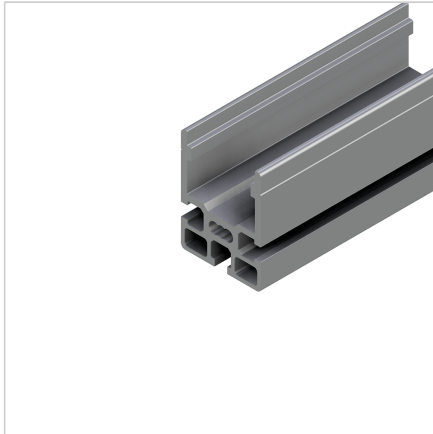


PROFILE HEIGHT ADJUSTMENT

Code: 201143/0

Alu profile for height-adjustable workstations. Modular aluminium profile system for ergonomic industrial setups.

[Link to the product →](#)



Technical data/items supplied

- Aluminium, extruded, anodized E6/EV1
- $I_x = 40.251 \text{ cm}^4$
- $I_y = 39.822 \text{ cm}^4$
- $w_x = 9.624 \text{ cm}^3$
- $w_y = 14.749 \text{ cm}^3$
- $IT = 80.08 \text{ cm}^4$
- Weight = 2.940 kg/m
- Bar length = 6 m
- Packing unit = 24 m

Applications

- Height adjustment
- Telescopic applications

Assembly

- For clamping or snap-in on the profile in the respective process