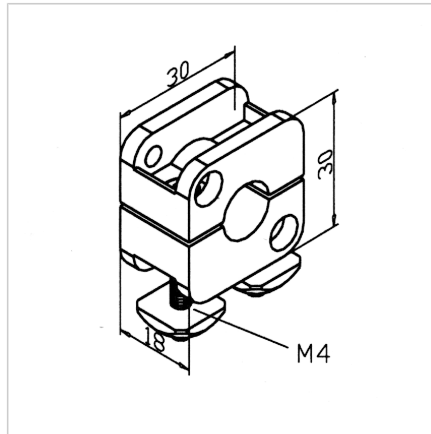


## PROXIMITY SWITCH HOLDER 12

Code: 280120/0

Proximity switch holder for fixing  $\varnothing$  12 mm switches in profile constructions and linear axes, ensuring stable and precise mounting.

[Link to the product →](#)



### Technical data/items supplied

- Plastic, black
- With fastening material steel, zinc plated
- $\varnothing$  12 mm
- Weight = 0.036 kg/piece

### Applications

- Fixing of proximity switches  $\varnothing$  12 mm in profile constructions and linear axes

### Assembly

- Fasten to profile groove with supplied hardware