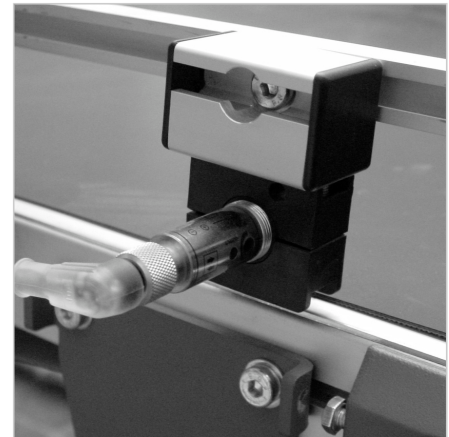
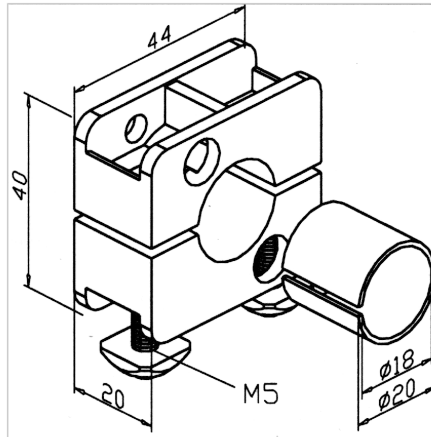
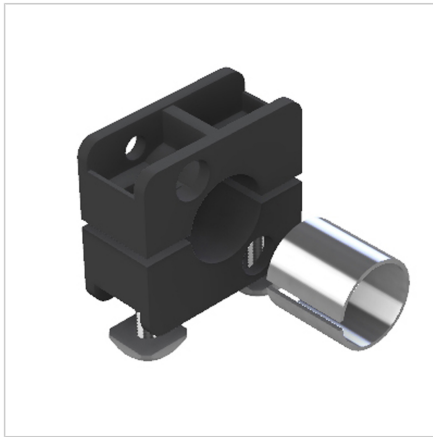


PROXIMITY SWITCH HOLDER 18

Code: 280121/0

Proximity switch holder for fixing \varnothing 18 mm switches in profile constructions and linear axes, ensuring stable and precise mounting.

[Link to the product →](#)



Technical data/items supplied

- Plastic
- With fastening material steel, zinc plated
- \varnothing 18 mm
- \varnothing 20 mm
- Weight = 0.046 kg/piece

Applications

- Fixing of proximity switches \varnothing 18 mm and \varnothing 20 mm in profile constructions and linear axes

Assembly

- Fasten to profile groove with supplied hardware