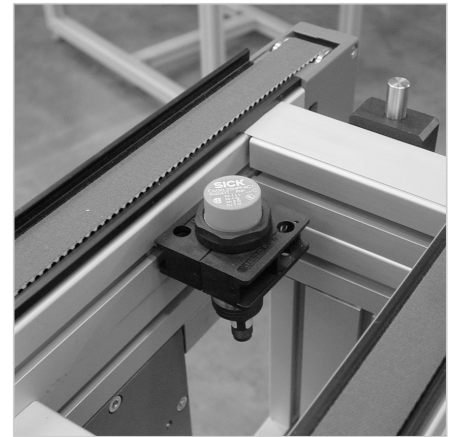
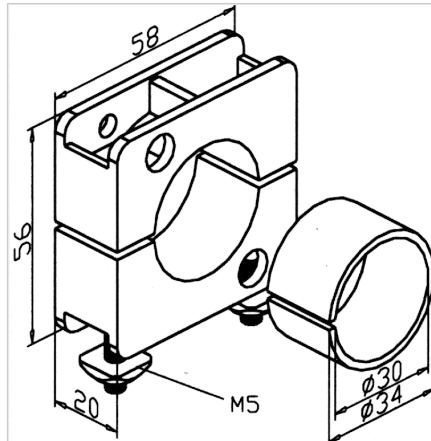
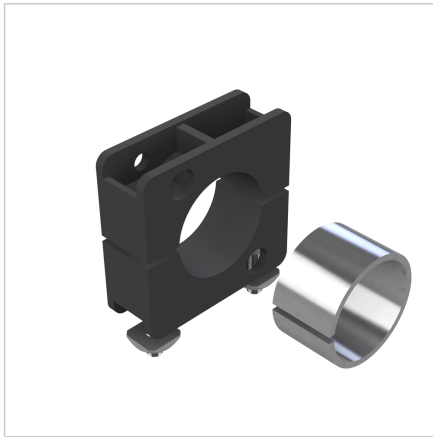


PROXIMITY SWITCH HOLDER 30

Code: 280122/0

Proximity switch holder for fixing \varnothing 30 mm switches in profile constructions and linear axes, ensuring stable and precise mounting.

[Link to the product →](#)



Technical data/items supplied

- Plastic, black
- With fastening material steel, zinc plated
- \varnothing 30 mm
- \varnothing 34 mm
- Weight = 0.068 kg/piece

Applications

- Fixing of proximity switches \varnothing 30 mm and \varnothing 34 mm in profile constructions and linear axes

Assembly

- Fasten to profile groove with supplied hardware