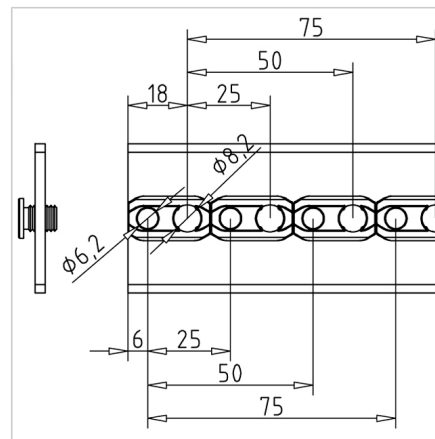
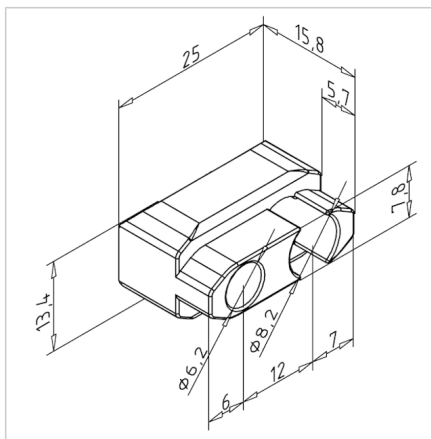
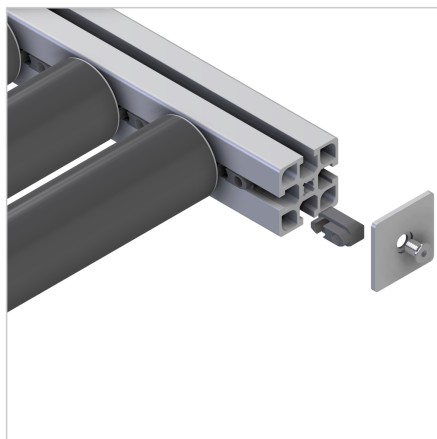


PULLEY CARRIER 25

Code: 221196/0

[Link to the product →](#)



Technical data/items supplied

- ABS, Injection Mould, grey
- Load capacity 15 kg/carrier
- Weight = 0.003 kg/piece

Applications

- For producing roller tracks with any roller division
- Minimum possible roll pitch 25 mm
- Roller axis $\varnothing 8$ mm, alternatively $\varnothing 6$ mm
- Design notes on frame widths and roller lengths
for rollers with ball bearing
under **Part no.** 210891/0 or 210895/0
for rollers with plain bearing
under **Part no.** 210890/0 or 210892/0

Assembly

- Place pulley carrier left and right onto the transport roller
- Insert transport roller with the pulley carrier into the profile grooves
- For axial securing of the roller carriers, we recommend fixing the T-slot bars or square nuts in the profile groove with setscrews or close off the profile end with an end cap AL