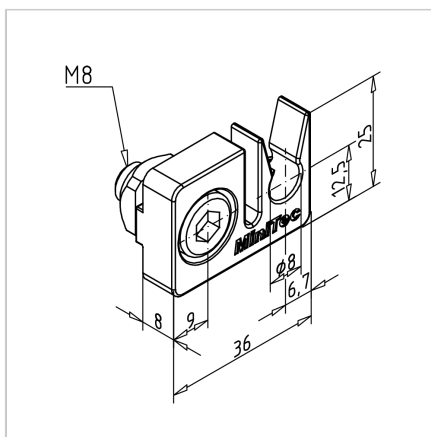
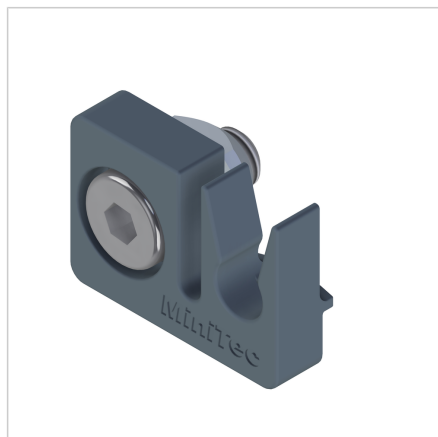


## PULLEY CARRIER 36

Code: 221190/0

[Link to the product →](#)



### Technical data/items supplied

- PA, Injection Mould, grey
- Fastening material steel, galvanized
- Load capacity 15 kg/carrier
- Max. tightening torque: 5 Nm
- Weight = 0.017 kg/piece

### Applications

- For producing roller tracks with any roller division
- Smallest possible division of roles 36 mm
- Roller axis  $\varnothing$  8 mm
- Design notes on frame widths and roller lengths  
for rollers with ball bearing under **Part no. 211722/0**  
for rollers with plain bearing under **Part no. 211056/0**

### Assembly

- Attach the roller carrier to the profile at the desired distance
- Insert axle of transport roller into pulley carrier