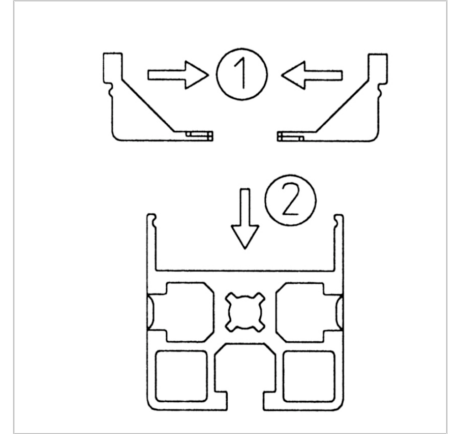
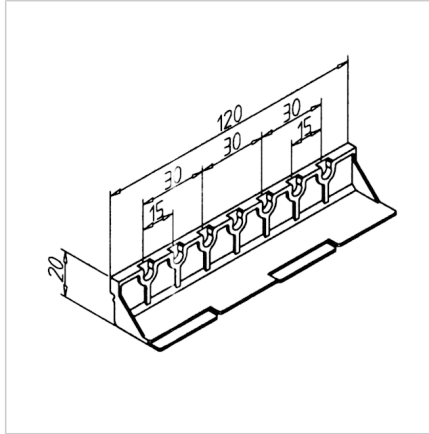
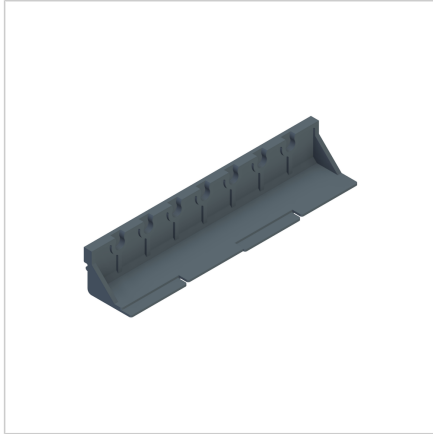


PULLEY CARRIER 45X45R BASE PART

Code: 221126/0

[Link to the product →](#)



Technical data/items supplied

- POM, grey
- Weight = 0.012 kg/piece

Applications

- The rollers can be used over a temperature range from -30°C up to +100°C
- For longer roller strips or higher load, we recommend:
 - inserting lengthwise or crosswise construction profiles underneath for support
 - inserting the roller strip into the 45 FRS profile **Part no.** 201152/0 it is then also possible to cover the spaces between the rollers, a system height (SH) of 54 mm is then reached