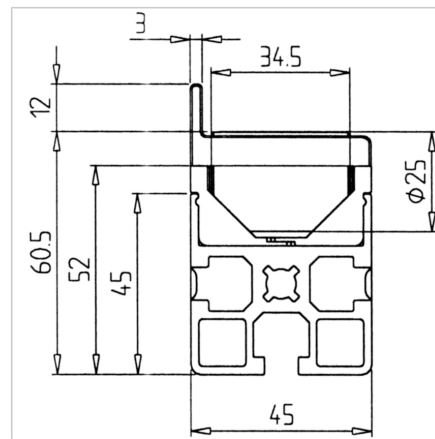
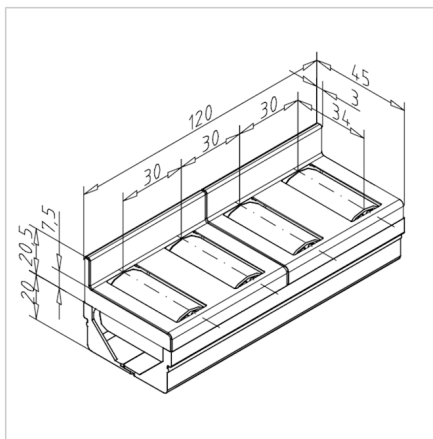
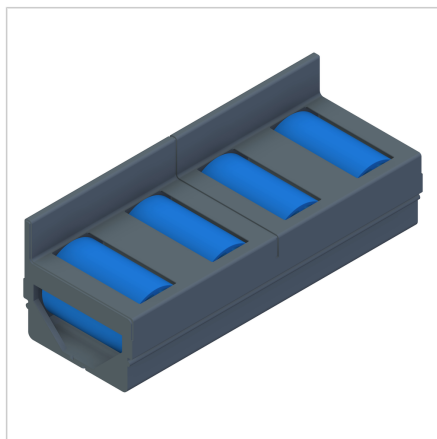


## PULLEY CARRIER 45X45R WITH SF COVER

Code: 221152/0

[Link to the product →](#)



### Technical data/items supplied

- POM, grey
- 2 x pulley carriers base part POM-RAL 7012, **part no. 221126/0**
- 1 x cover POM-RAL 7012, **part no. 221128/0**
- 4 x pulley carriers ABS blue, **part no. 211701/0**
- Length: 120 mm
- Weight = 0.083 kg/piece

### Applications

- Production of small roller conveyors in connection with profile 45 x 45 R, **part no. 201046/0**

### Assembly

- Insert roller carrier in profile
- Insert conveyor rollers
- Clipoff cap