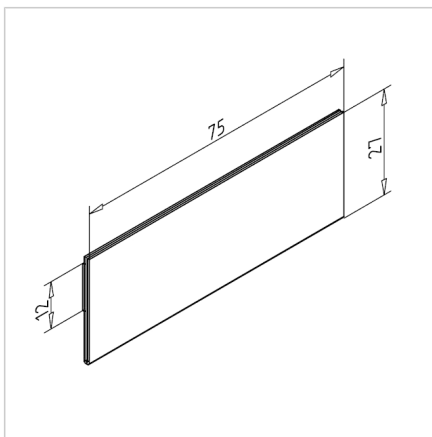
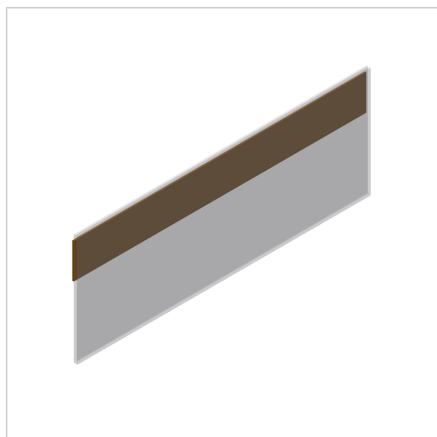


QUICK LABEL 27 X 75 AUTO-ADHESIVE

Code: 320601/0

[Link to the product →](#)



Technical data/items supplied

- Front, transparent
- Back, self-adhesive
- Open at the sides and on top
- Weight = 0.003 kg/piece

Applications

- Storage compartment identification
- Error-free scanning of barcodes
- For profile width 30 or larger
- If variable positioning is required, the Quick label can also be stuck on our signal profile, so that the sign can be fixed in any place in an open profile groove

Assembly

- Attach with self-adhesive back
- Push in carton insert
- Cardboard insert not included, Pack of 20 sheets **Part no. 32.0601/1** please order separately