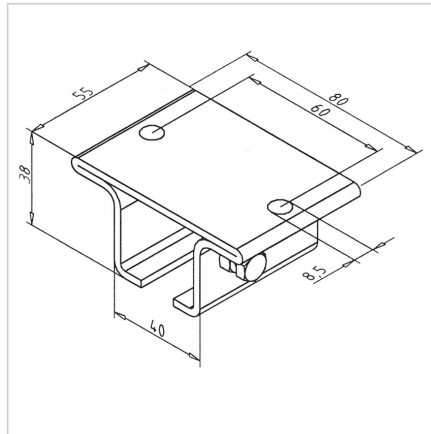
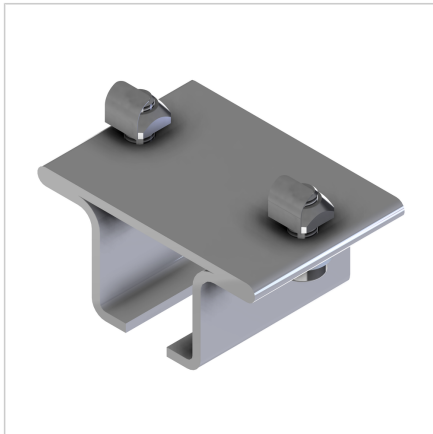


RAIL HOLDER C-RAIL 30

Code: 320222/0

C-profile holder allows stable fastening, flexible installation, and easy assembly of profiles in various construction systems.

[Link to the product →](#)



Technical data/items supplied

- Steel, galvanized
- Square nut Z, ESD capable
- Weight = 0.250 kg/piece

Applications

- Fastening the C-section rail onto the portal structure
- Fixation for C-rail 30 **part no.** [320220/0](#)

Assembly

- Fasten to the portal construction with supplied hardware