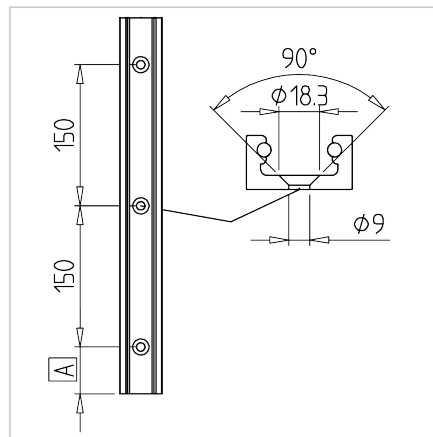
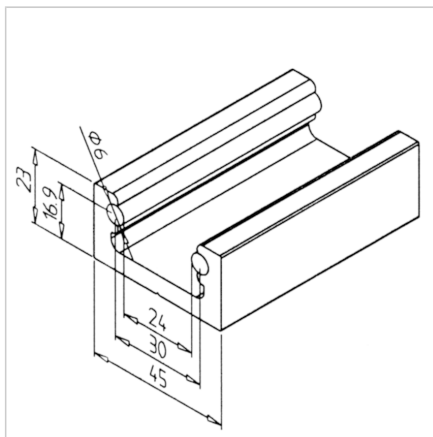
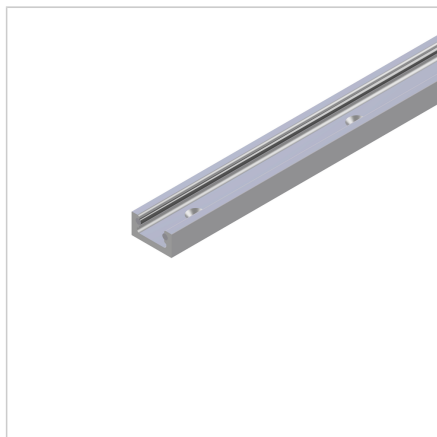


RAIL LR 6 COMPACT STAINLESS DRILLED

Code: 280149/0

Stainless rails LR 6 for precise and durable linear motion in linear systems.

[Link to the product →](#)



Technical data/items supplied

- Aluminium, anodized E6/EV1
- 2 shafts $\varnothing 6$ h6 stainless steel
- Drilled ready for assembly $\varnothing 8$ mm, Division 150 mm
- Weight = 1.781 kg/m
- Bar length = 6 m

Applications

- Handling devices
- Guide large drawers
- Doors

Assembly

- Fasten the rail with the countersunk screw M8 x 20 and the square nut M8 to the MiniTec profile
- The hole pattern is cut to size centrally. If a different edge distance is required, please specify dimension A. Additional hole spacing is also possible