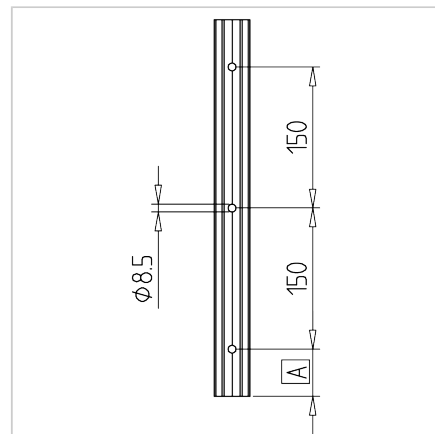
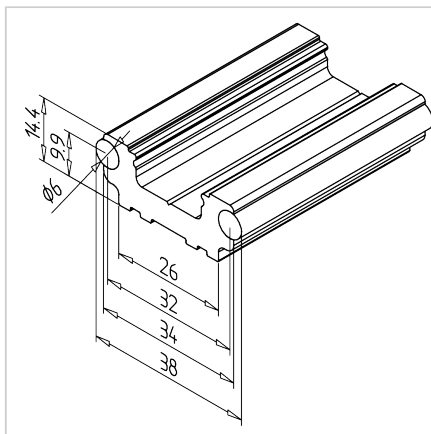


RAIL LR 6 S, DRILLED

Code: 280525/0

MiniTec linear guide systems LR 6 S for precise linear motion in handling devices, large drawer guides, and doors.

[Link to the product →](#)



Technical data/items supplied

- Aluminium, anodized E6/EV1
- 2 shafts \varnothing 6 mm h6 steel
- Drilled ready for assembly \varnothing 8 mm, Division 150 mm
- Stainless version **part no. 280526/0**
- Weight = 0.959 kg/m
- Bar length = 6 m

Applications

- Minitec linear guide systems LR 6
- Handling devices
- Guide large drawers
- Doors

Assembly

- Fasten the rail with the countersunk screw M8 x 20 and the square nut M8 to the MiniTec profile
- Optional cover profile, **part no. 22.1160/0**
- The hole pattern is cut to size centrally. If a different edge distance is required, please specify dimension A. Additional hole spacing is also possible