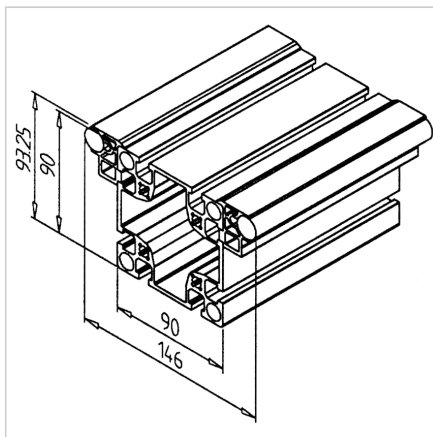


## RAIL LR16 - 90 L =

Code: 280821/0

Rail LR16 - 90 for precise and reliable linear motion in linear guides for various applications.

[Link to the product →](#)



### Technical data/items supplied

- Aluminium, anodized E6/EV1
- Profile 90 x 90 L
- On both sides with shaft carrier profile LR 16 and shafts  $\varnothing 16$  h6, installed pre-assembled
- Without end caps
- Weight = 10,067 kg/m
- Bar length = 6 m

### Applications

- Linear and column guides for high load
- Belt return in profile
- **Special versions**  
For longer lengths or to respond to confined installation situations, on **request**, the rails can also be butt-jointed or can be produced divided into shorter lengths.

### Assembly

- For vertical use or high speed applications we recommend the use of shaft retention device LR 16 **part no. 280808/0** and **part no. 280809/0**
- To use shaft locking devices on both sides, the shaft and shaft carrier should be at least 30 mm shorter than the total length