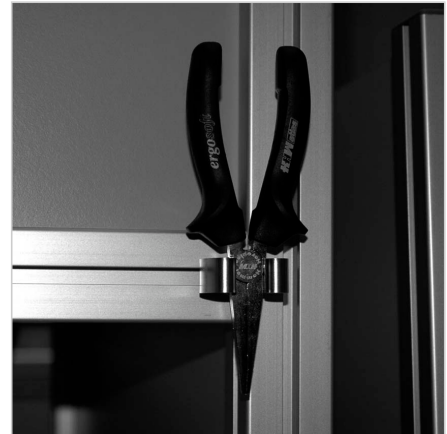
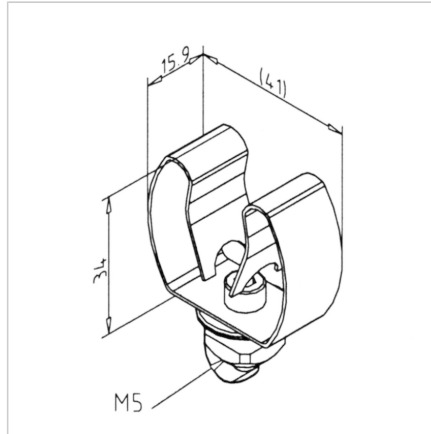
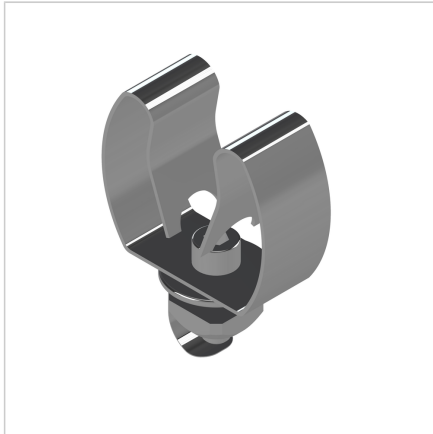


RETAINING CLIP 16 FOR DIAMETER 16 - 25 MM

Code: 320538/0

Tool holder 16-25 mm allows quick access to hand tools, safe storage, and improved organization of the workspace.

[Link to the product →](#)



Technical data/items supplied

- Steel
- Stainless steel 1.4319
- Attachment clip with fastening kit
- Square nut Z, ESD capable
- Weight = 0.028 kg/piece

Applications

- Holder for various tools with \varnothing 16 - 25 mm

Assembly

- Fasten into the profile groove with supplied hardware and tighten the fastening screw