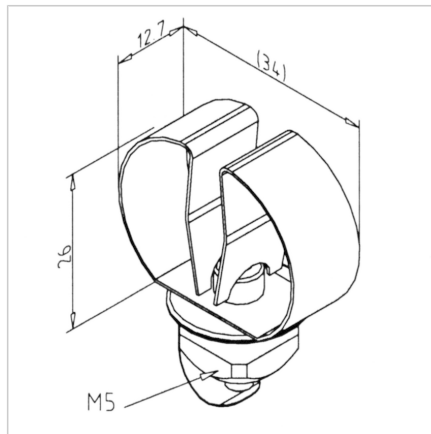


RETAINING CLIP 8 FOR DIAMETER 8 - 12 MM

Code: 320537/0

Tool holder 8-12 mm provides secure fastening of tools, prevents loss of small items, and simplifies organization of compact work accessories.

[Link to the product →](#)



Technical data/items supplied

- Steel
- Stainless steel 1.4319
- Attachment clip with fastening kit
- Square nut Z, ESD capable
- Weight = 0.017 kg/piece

Applications

- Holder for various tools with \varnothing 8 - 12 mm

Assembly

- Fasten into the profile groove with supplied hardware and tighten the fastening screw