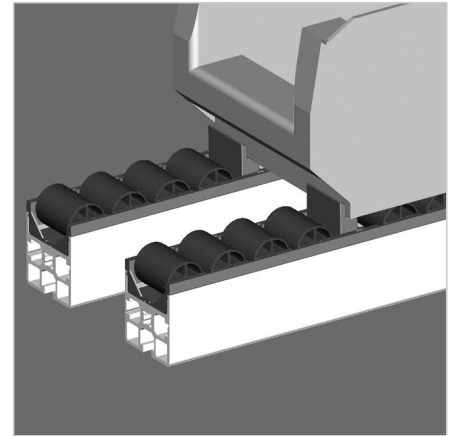
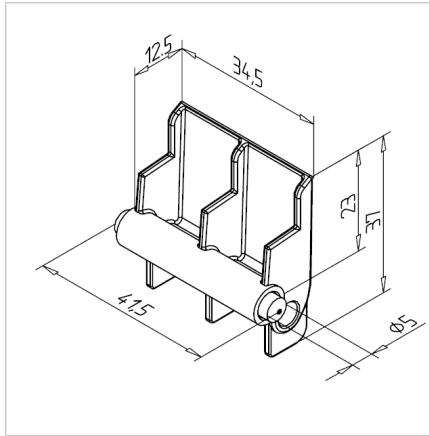
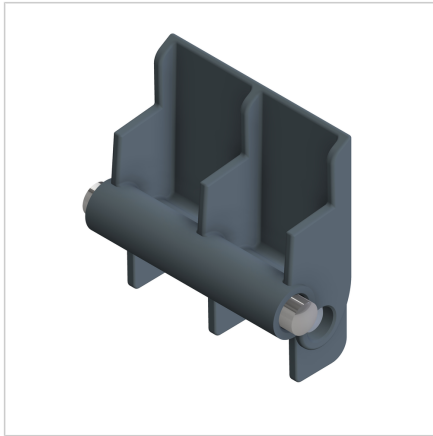


## REVERSE LOCK ROLLER BAR

Code: 320586/0

[Link to the product →](#)



### Technical data/items supplied

- ABS, grey
- Weight = 0.015 kg/piece

### Applications

- used for decline-roller conveyors to prevent transported material from running back
- in combination with pulley carrier 45x45R

### Assembly

- Clip into the roller carrier instead of a roller