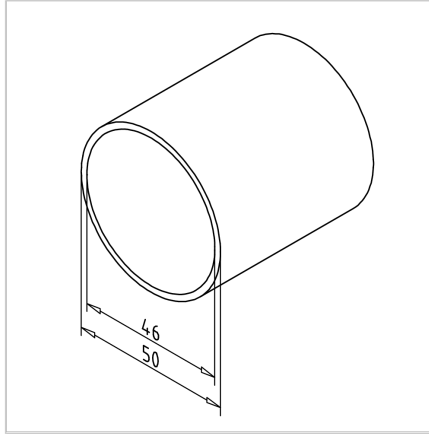
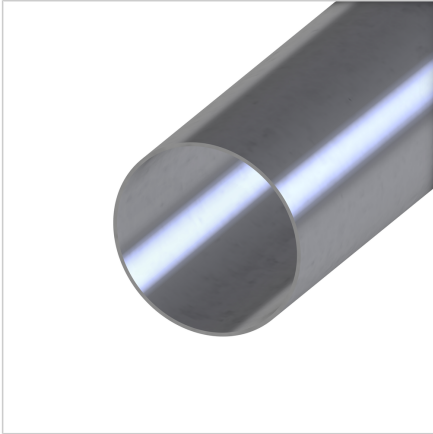


## ROHR VA 50 X 2 - PACKEINHEIT

Code: 201089/0

[Link to the product →](#)



### Technical data/items supplied

- Stainless steel
- **Please indicate needed tube length**
- Weight = 2.368 kg/m

### Applications

- Production of conveyor rollers in any length for roller tracks with or without drive