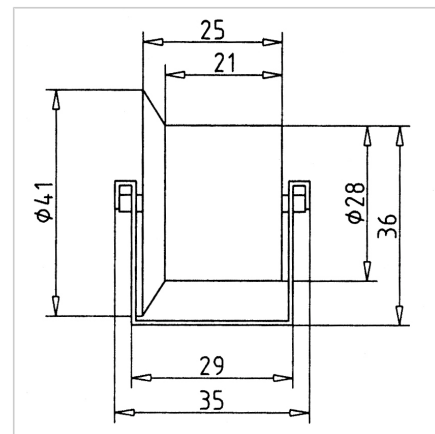
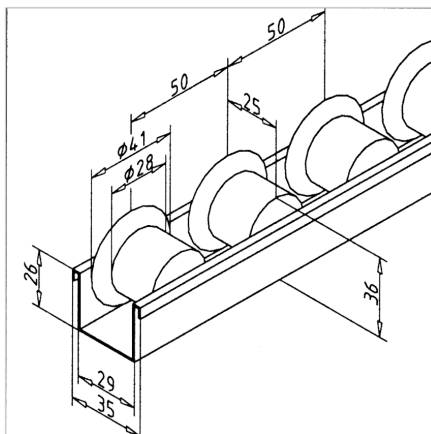


ROLLER BAR ESD WITH EDGE ROLLER- ROLLER D=28, BLACK; T=50 MM

Code: 320565/0

ESD roller strip with flanged rollers ensures smooth component movement, reduces damage risk, and provides protection against static electricity.

[Link to the product →](#)



Technical data/items supplied

- Length according to costumers specification
- Max. length 6 m
- Division 50 mm
- Supporting profile: Steel, zinc plated
- Weight = 0.615 kg/m

Applications

- The rollers can be used over a temperature range from -30°C up to +100°C
- For longer roller strips or higher load, we recommend:
 - inserting lengthwise or crosswise construction profiles underneath for support
 - inserting the roller strip into the 45 FRS profile **Part no.. 201152/0** it is then also possible to cover the spaces between the rollers, a system height (SH) of 54 mm is then reached

Assembly

- Fasten with fastening **part no. 320574/0** and end stop **part no. 320569/0** onto profile
- With screws directly on the carrier profile