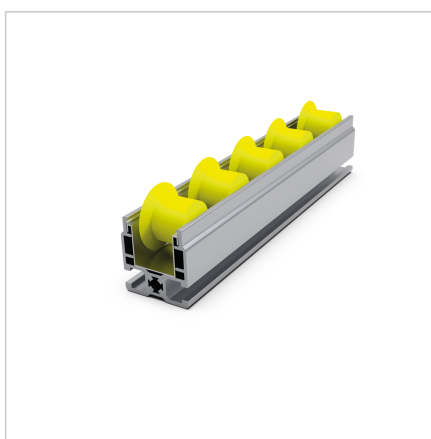
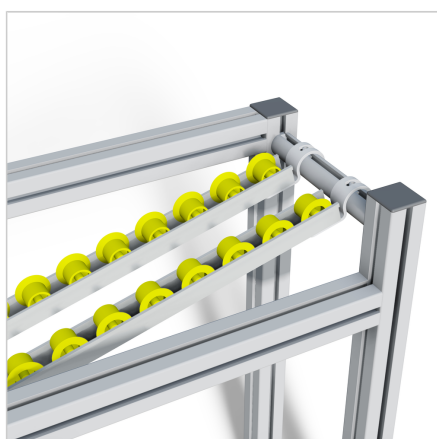
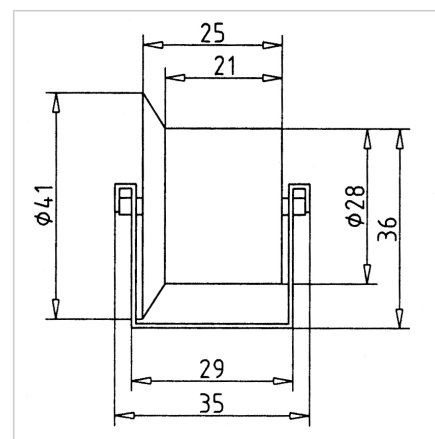
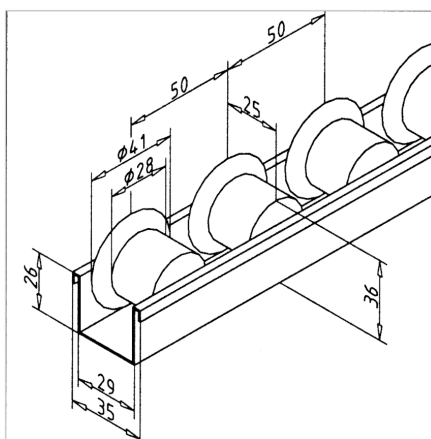
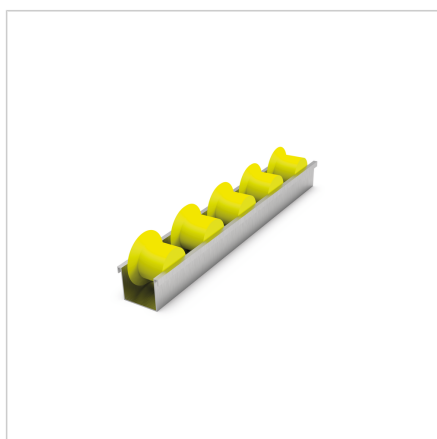


## ROLLER BAR WITH EDGE ROLLERS D=28, YELLOW; T=50 MM

Code: 320560/0

Roller strip with flanged rollers provides secure material guidance, prevents slipping, and ensures reliable transport in production processes.

[Link to the product →](#)



### Technical data/items supplied

- Length according to costumers specification
- Max. length 6 m
- Division 50 mm
- Supporting profile: Steel, zinc plated
- Roller colour: yellow
- Weight = 0.615 kg/m

### Applications

- The rollers can be used over a temperature range from -30°C up to +100°C
- **Part no. 320565/0** Highly conductive wheels to prevent static charges. Roller colour: black
- For longer roller strips or higher load, we recommend:
  - inserting lengthwise or crosswise construction profiles underneath for support
  - inserting the roller strip into the 45 FRS profile **Part no. 201152/0** it is then also possible to cover the spaces between the rollers, a system height (SH) of 54 mm is then reached

### Assembly

- Fasten with fastening **part no. 320574/0** and end stop **part no. 320569/0** onto profile
- With screws directly on the carrier profile