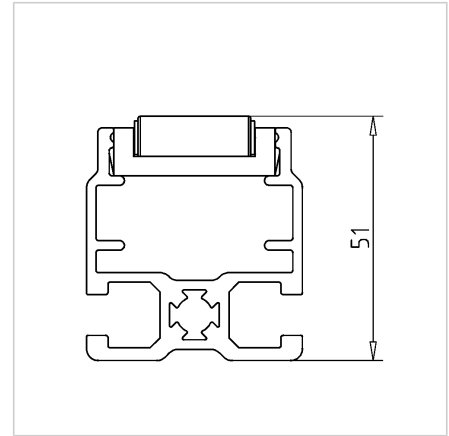
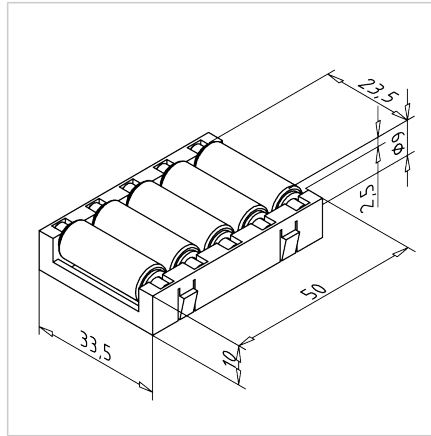


ROLLER ELEMENT 50 D9-5R-FRS

Code: 320688/0

[Link to the product →](#)



Technical data/items supplied

- PA, black
- Cylindrical rollers with 9 mm diameter in black
- ESD-compatible
- Roll pitch 10 mm
- System height (SH): 51 mm
- Max. load capacity approx. 80 N
- Weight = 0.028 kg/piece

Applications

- For making roller strips in conjunction with our profile 45 FRS **article no. 201152/0**

Assembly

- Can be clipped into the profile in any position required
- Spacer **article no. 320693/0** can be used to fix the component in the profile.
- The component can be fixed with **article no. 320694/0**, at the same time, it forms an end stop for the conveyed material.