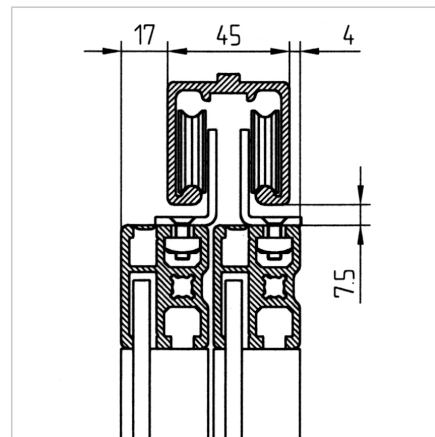
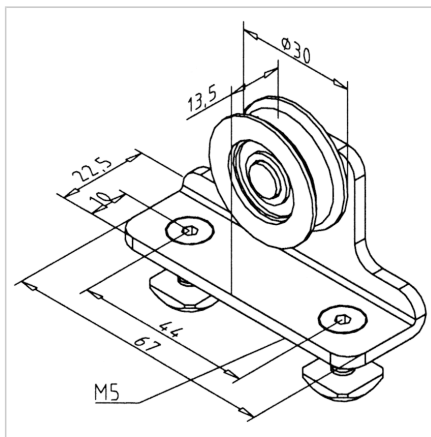
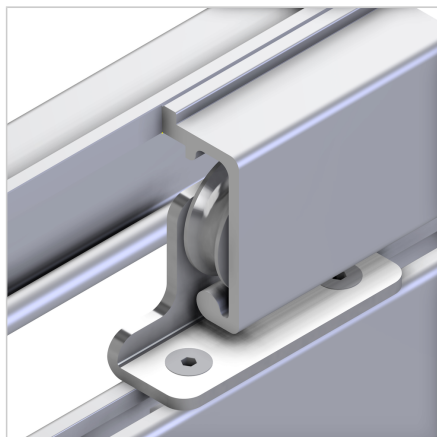


ROLLER ELEMENT FOR SLIDING DOOR

Code: 212000/0

Sliding door roller guide ensures smooth and reliable movement of sliding doors in aluminum profile systems.

[Link to the product →](#)



Technical data/items supplied

- Plastic roller with ball-bearing
- Zinc plated steel support
- With fastening material steel, zinc plated
- Max. load with use in pairs 60 kg
- Weight = 0.080 kg/piece

Applications

- Easy-running, multi-wing sliding doors in guard units, exhibition stands, testing units, etc.

Assembly

- Attach the rollers to the profile groove using the mounting kit
- Mount the doors into the track profile, slightly swing out the doors at the bottom
- Sliding door at bottom with retaining pins, sliding bar 8N **part no. 221085/0** or U-guide sliding door **part no. 21.2002/1** secure against swinging away