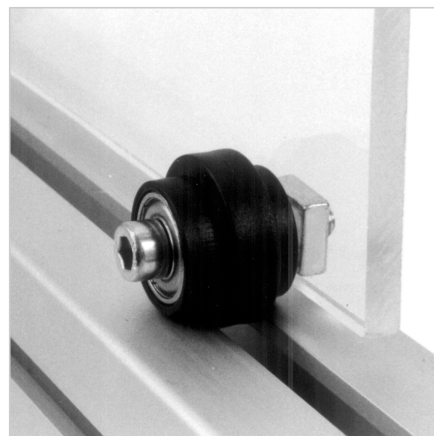
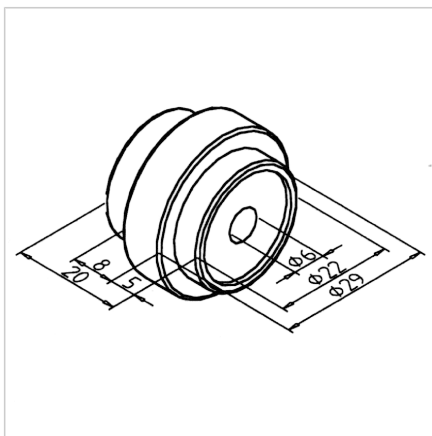
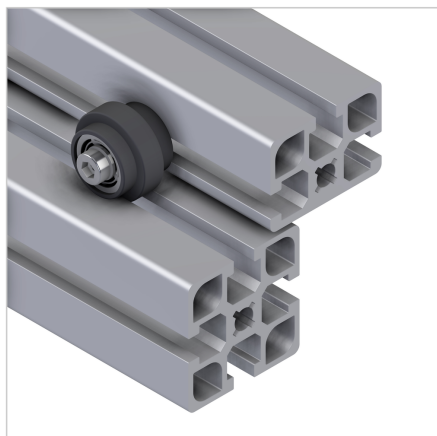


ROLLER ELEMENT

Code: 211782/0

Corner roller element for reliable guiding of sliding and lifting doors or drawers in aluminum constructions and profile systems.

[Link to the product →](#)



Technical data/items supplied

- ABS, Injection Mould, grey
- With 2 ball-bearings 626 ZZ
- Fmax. 200 N
- Weight = 0.030 kg/piece

Applications

- Guide for sliding doors, lifting doors and drawers

Assembly

- With cylinder head screw M6 x 35 **part no.:** [21.1245/0](#) and sliding nut M6 on profile grooves or directly on surface element