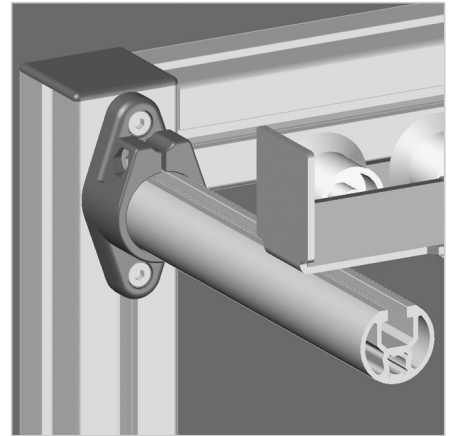
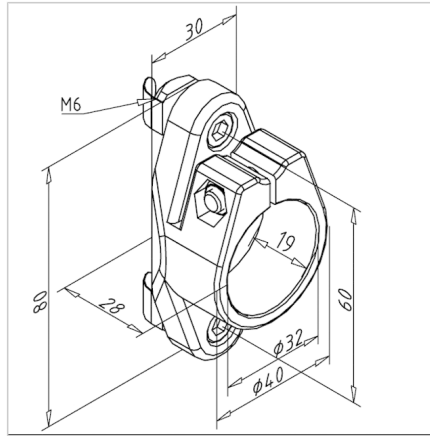


ROLLER STRIP FASTENING

Code: 221016/0

[Link to the product →](#)



Technical data/items supplied

- ABS, grey
- Fastening kit
- Weight = 0.050 kg/piece

Applications

- For angle-adjustable assembly of handle profile 32 for roller strip **part no.** [201088/0](#)

Assembly

- Use fastening kit to fasten to base frame
- Push in handle profile 32 and clamp using screws