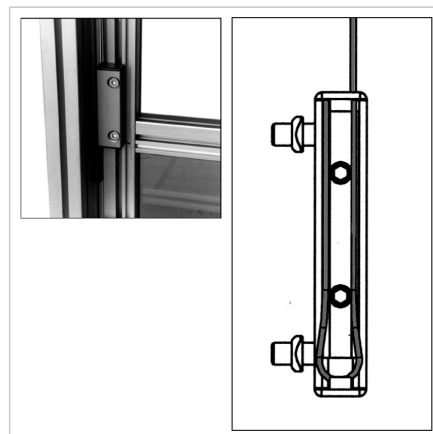
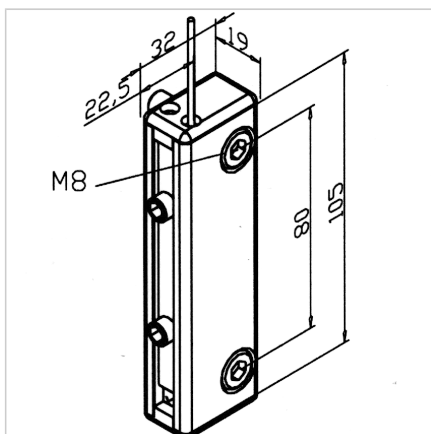


## ROPE CLAMP 19X32

Code: 211797/0

Objemka za vrv 19x32 za zanesljivo pritrditev jeklenega kabla na vratno konstrukcijo dvizhnih vrat.

[Link to the product →](#)



### Technical data/items supplied

- Aluminium, anodized E6/EV1
- From profile 19 x 32
- 1 Clamping plate
- 2 hex socket cap screws with square nuts
- 2 suitable end caps, one of them bored
- Weight = 0.150 kg/piece

### Applications

- Fixing the wire cable **part no. 211777/0** on the door element of a lifting door

### Assembly

- Remove the lower end cap
- Attach rope clamp with fastening kit at the top of the door element
- Pull the rope through the bore of the upper end cap
- Adjust balance weight to desired position
- Place the cable end around the clamping bar in the loop, insert it into the groove of the cable clamp and secure with a threaded pin
- If necessary, shorten the projecting end of the rope and replace the removed cap