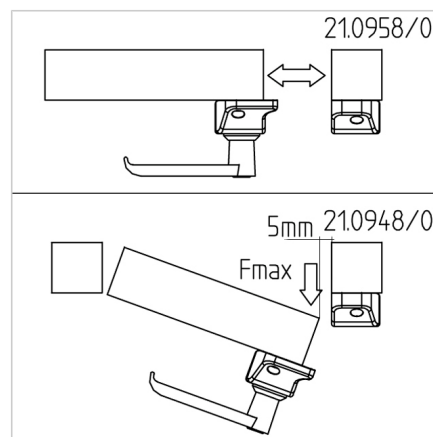
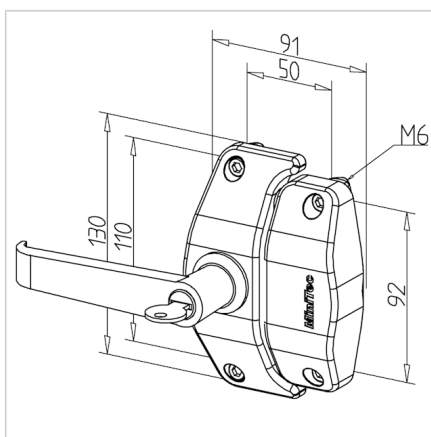


ROTARY LOCK 45

Code: 210948/0

Hinge or sliding door lock for secure closing of sliding systems in industrial or safety constructions made of aluminium profiles series 45.

[Link to the product →](#)



Technical data/items supplied

- With fastening material steel, zinc plated
- Mounted handle: see part no. 21.2305/0
- Fmax. 2200 N
- Weight = 0.476 kg/piece

Applications

- Rotary lock 45 for swivel doors: part no. 21.0948/0
- Sliding door lock 45 for sliding doors part no. 21.0958/0
- Locking of doors and panels
- No profile finishing required
- Position moveable

Assembly

- Fasten to profile groove with supplied hardware
- Fastening on profile groove - without processing/boring of profiles
- No separate door stop required