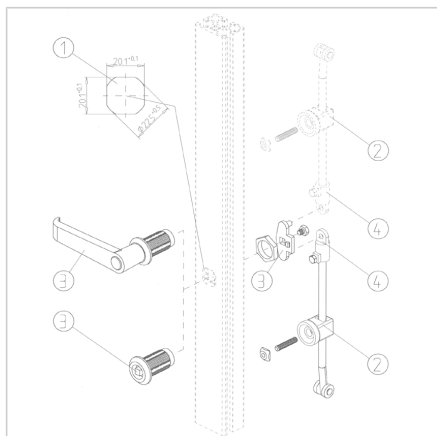


ROTATION DIRECTION ROD LOCK 32, WITH OUT LOCK, 2 RODS

Code: 211798/4

Manual rod lock with 2 rods for secure dual-point locking in profile 32 doors - no integrated lock, ideal for industrial enclosures.

[Link to the product →](#)



Technical data/items supplied

- Handle without lock
- Bar retainer made of steel, galvanised
Overrun rod with rollers (L = 1100 mm),
steel, galvanised
- Rod guide, black plastic with injected nut
M6
- Weight = 1.179 kg/piece

Applications

- For locking doors at the top or bottom
cross-rail
Particularly suitable for control cabinets
and double-leaf doors

Assembly

- Insert square recess into vertical door
profile
Screw setscrew M6 x 30 into rod guide,
screw nut loosely onto setscrew, insert
square nut into groove and tighten rod
guide in position. Screw cam latch onto
cam lock or handle. Insert the overrun rod
into the rod guide and fix it on the cam
latch