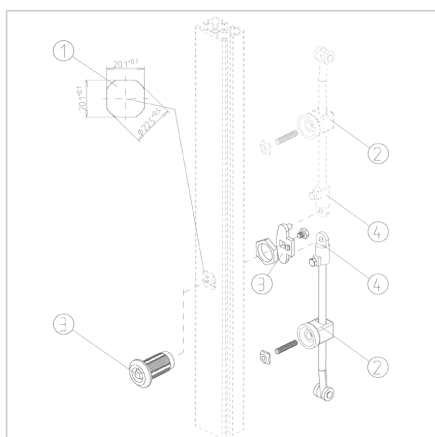


ROTATION DIRECTION ROD LOCK 45, 4-KT, 2 RODS

Code: 211788/2

Double rod lock securing doors at both top and bottom cross-rails. Perfect for control cabinets and double-leaf doors, ensuring safe and effective locking.

[Link to the product →](#)



Technical data/items supplied

- Bolt lock made of steel, black with square key
- Bar retainer made of steel, galvanised
Overrun rod with rollers (L = 1100 mm), steel, galvanised
Rod guide, black plastic with injected nut M6
- Weight = 1.198 kg/piece

Applications

- For locking doors at the top or bottom cross-rail
Particularly suitable for control cabinets and double-leaf doors

Assembly

- Insert square recess into vertical door profile
Screw setscrew M6 x 30 into rod guide, screw nut loosely onto setscrew, insert square nut into groove and tighten rod guide in position. Screw cam latch onto cam lock or handle. Insert the overrun rod into the rod guide and fix it on the cam latch