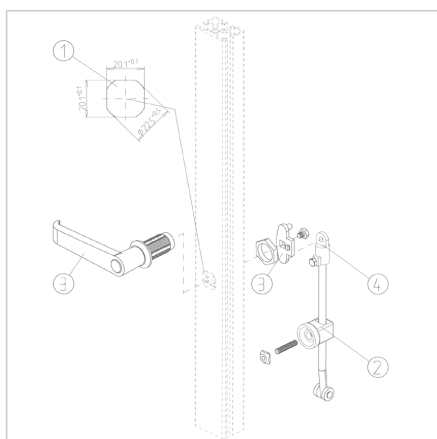


## ROTATION DIRECTION ROD LOCK 45, OR LOCK, 1 ROD

Code: 211788/3

Rod lock without lock, 1 rod - secure door closure for profile 45 systems. Ideal for control cabinets and protective enclosures.

[Link to the product →](#)



### Technical data/items supplied

- Handle without lock
- Bar retainer made of steel, galvanised  
Overrun rod with rollers (L = 1100 mm),  
steel, galvanised
- Rod guide, black plastic with injected nut  
M6
- Weight = 0.711 kg/piece

### Applications

- For locking doors at the top or bottom  
cross-rail  
Particularly suitable for control cabinets  
and double-leaf doors

### Assembly

- Insert square recess into vertical door  
profile  
Screw setscrew M6 x 30 into rod guide,  
screw nut loosely onto setscrew, insert  
square nut into groove and tighten rod  
guide in position. Screw cam latch onto  
cam lock or handle. Insert the overrun rod  
into the rod guide and fix it on the cam  
latch