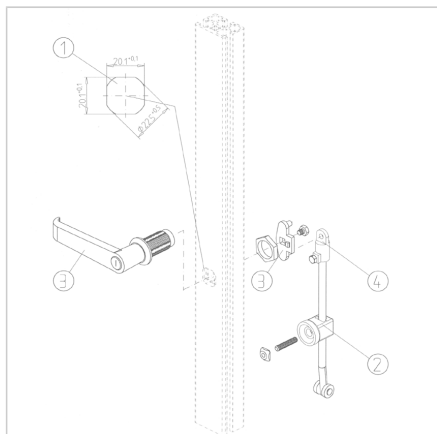


ROTATION DIRECTION ROD LOCK 45, WITH OUT LOCK, 1 ROD

Code: 211788/5

Rod lock with cylinder lock and one rod for secure locking of profile 45 doors in industrial enclosures and safety systems.

[Link to the product →](#)



Technical data/items supplied

- Handle without lock
- Bar retainer made of steel, galvanised
- Overrun rod with rollers (L = 1100 mm), steel, galvanised
- Rod guide, black plastic with injected nut M6
- Weight = 0.748 kg/piece

Applications

- For locking doors at the top or bottom cross-rail
Particularly suitable for control cabinets and double-leaf doors

Assembly

- Insert square recess into vertical door profile
Screw setscrew M6 x 30 into rod guide, screw nut loosely onto setscrew, insert square nut into groove and tighten rod guide in position. Screw cam latch onto cam lock or handle. Insert the overrun rod into the rod guide and fix it on the cam latch