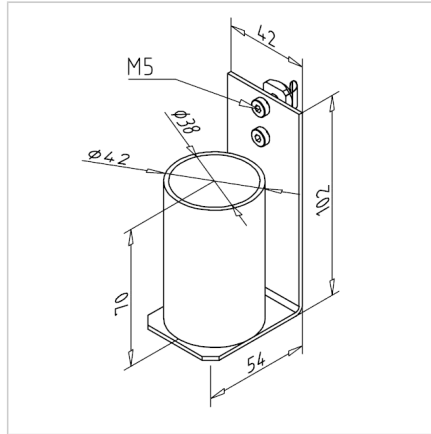


ROUND TOOL HOLDER 38 - 70

Code: 320535/0

Tool holder 38-70 allows neat storage of tools, files, and sharpening stones with adjustable angle for convenient use.

[Link to the product →](#)



Technical data/items supplied

- Stainless steel
- Material V2A, polished
- Fastening kit
- Square nut Z, ESD capable
- Weight = 0.263 kg/piece

Applications

- Tool holder for storage of tools (files, marking tools, sharpening stones, etc.)
- Adjustable angle

Assembly

- Attach with fastening kit from items supplied to profile strut