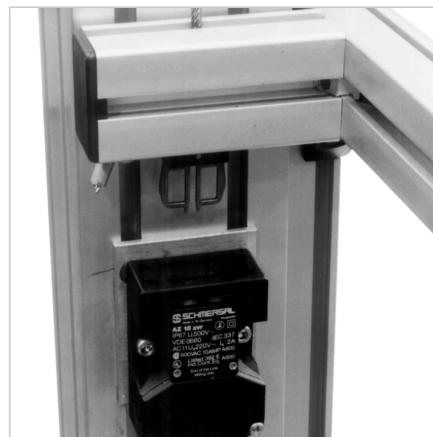
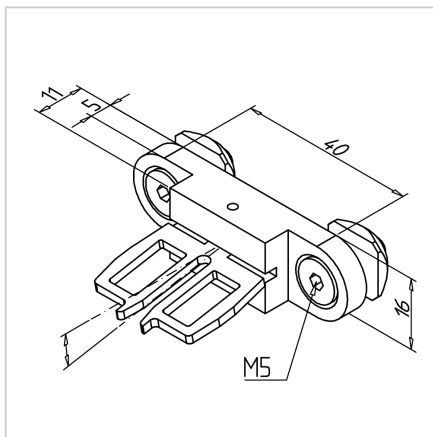


## SAFETY SWITCH BRACKET B3

Code: 211110/3

Safety switch bracket AZ 16 - B3 for stable installation of safety switches.

[Link to the product →](#)



### Technical data/items supplied

- Separator guide, typ B3, for particularly small operating radius over the narrow side of the bracket
- Operating radius min. 32 mm
- Weight = 0.044 kg/piece

### Applications

- Operating handle for small operating radii in conjunction with safety switch **part no.** [211110/0](#), replaces the standard strap

### Assembly

- Fasten with fastening material to profile groove
- Directly on panel element with countersunk screws M5 according to material thickness