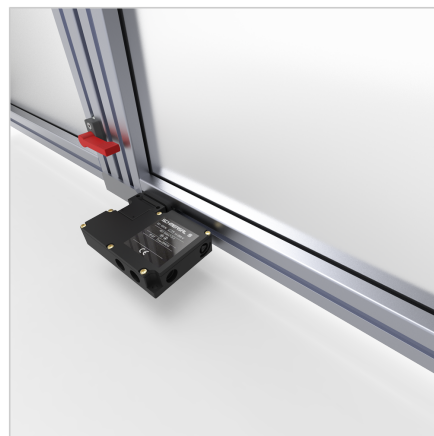
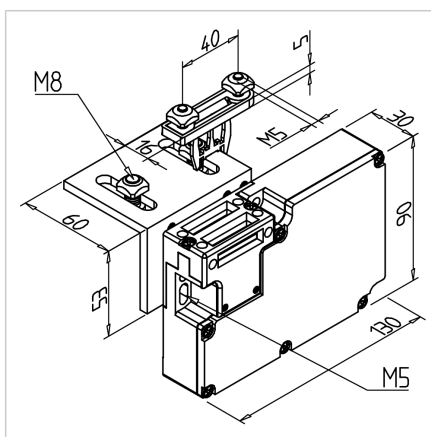
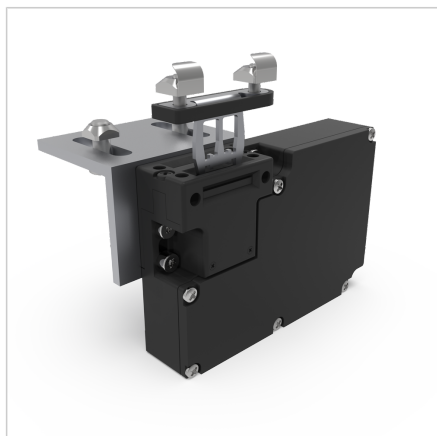


SAFETY SWITCH WITH LOCK AZM161SK-12/12RK-024-M16

Code: 211766/0

Safety switch with locking mechanism prevents unauthorized activation, enhances safety, and reliably protects the work environment from accidents.

[Link to the product →](#)



Technical data/items supplied

- Switch, type AZM 161SK-12/12RK-024
- Thermoplastic housing, black, self-extinguishing
- Protective system IP67, nominal operating current 10 A (230 V), driving voltage 24 V AC/DC, power consumption 10 W
- Fastening kit
- Optionally also with control voltage 110 V AC or 230 V AC available
- Weight = 0.480 kg/piece

Applications

- For protective equipment with high safety requirements

Assembly

- Fasten with fixing material to profile groove
- For small radii, use actuating yoke B6 **part no.. 211766/2.**