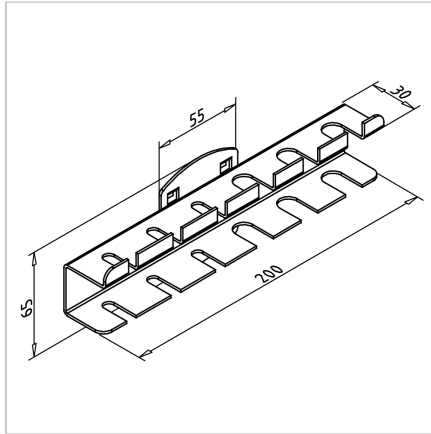
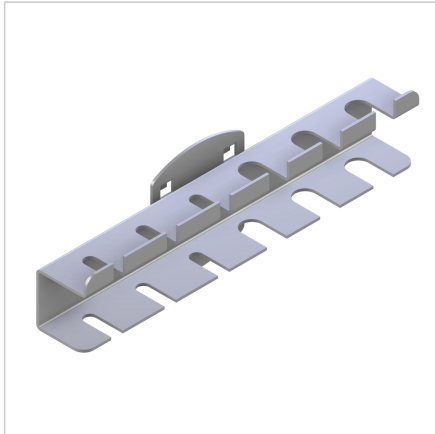


SCHRAUBENDREHERHALTER 6-FACH

Code: 320649/0

Screwdriver holder provides visibility, fast tool locating, space-saving, and easy maintenance of order.

[Link to the product →](#)



Technical data/items supplied

- Steel, Pressure die-casting, powder-coated, grey
- Weight = 0.180 kg/piece

Applications

- 3 mounting slots 6.5 mm wide and 23 mm deep
- 3 mounting slots 12.5 mm wide and 23 mm deep