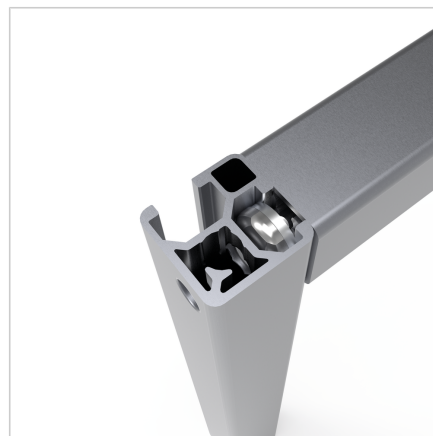
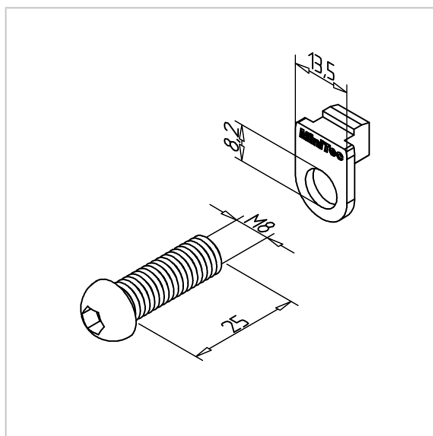


SCREW CONNECTION 32

Code: 210897/0

Screw connection 30 GD ensures reliable joining of 30 series aluminium profiles without extra machining. Enhances strength and stability.

[Link to the product →](#)



Technical data/items supplied

- Aluminium, Pressure die-casting, bright
- Anti-twist lock with fillister head screw
- Weight = 0.012 kg/piece

Applications

- Connection of Series 30 profiles

Assembly

- Insert thread M8 x 25 into the centre hole of the profile
- Insert into vertical profile through-hole \varnothing 7 mm
- Fix the screw with the anti-rotation device on the horizontal profile and insert it into the groove of the vertical profile
- Use Allen key to pull through bore \varnothing 7 mm
- Recommended tightening torque: 20 Nm
- The bore \varnothing 7 mm can be closed with plug **7 part no. 221215/1**, should be used with our closed t-slot profiles