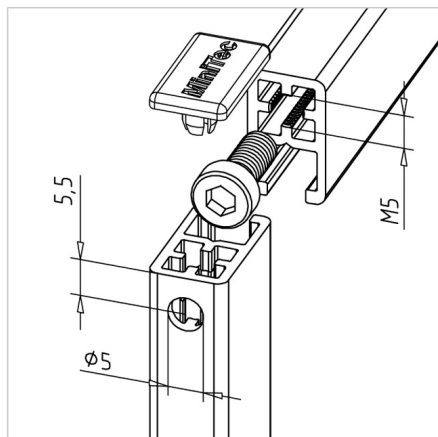


SCREW CONNECTOR 11

Code: 211574/1

[Link to the product →](#)



Technical data/items supplied

- Stainless steel
- Weight = 0.003 kg/piece