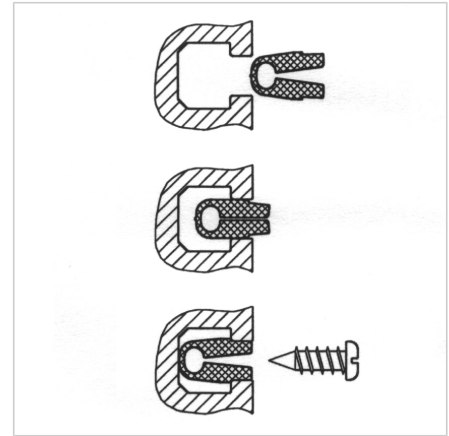
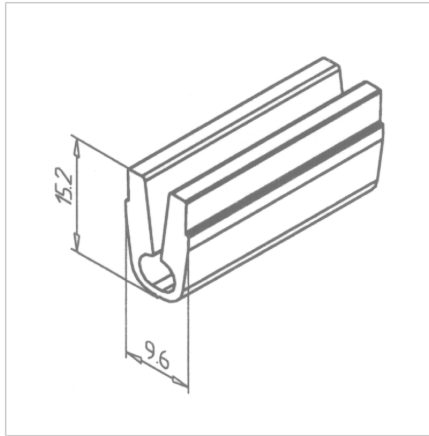
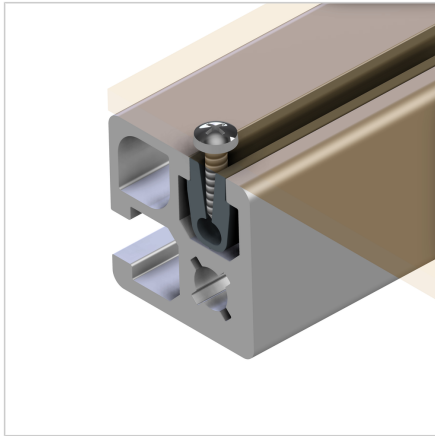


SCREW SOCKET PROFILE L=2m

Code: 221076/0

[Link to the product →](#)



Technical data/items supplied

- PVC, extruded, grey
- Weight = 0.118 kg/m
- Bar length = 2 m

Assembly

- Clip profile into groove
- Fasten element with commercial-type selftapping screws \varnothing 4-5 mm; Length min: 16 mm
- For material thickness of 1-6 mm, sheet metal screw 3,5 x 16 mm **part no.** 21.1365/0