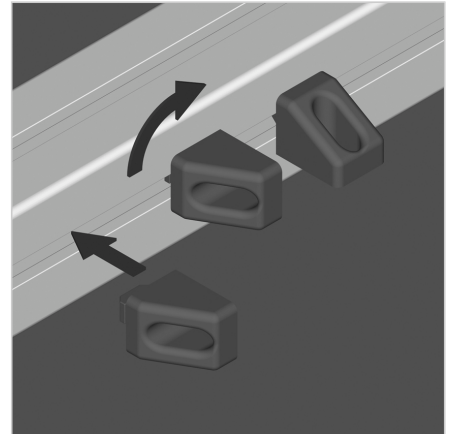
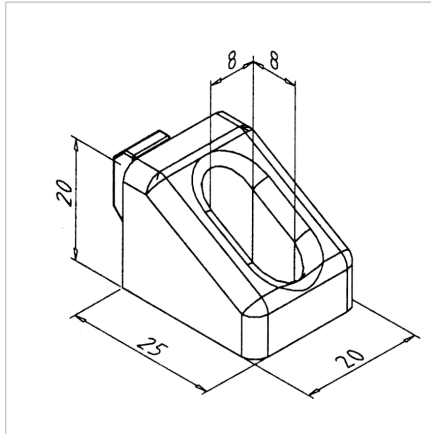


SCREWDRIVER HOLDER

Code: 320502/0

Screwdriver holder saves time when searching for the right screwdriver and keeps tools always ready.

[Link to the product →](#)



Technical data/items supplied

- PA, Injection Mould, powder-coated, grey
- Weight = 0.006 kg/piece

Applications

- Ergonomic storage of screwdrivers at the workbench

Assembly

- Push into the groove and then turn 90°