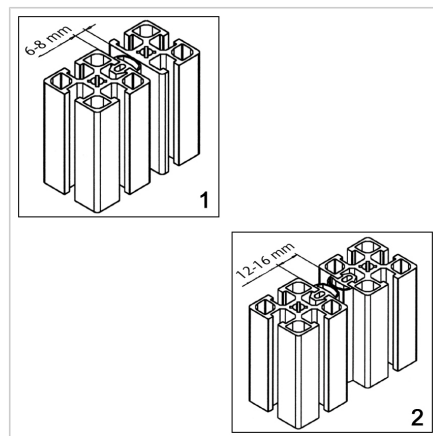
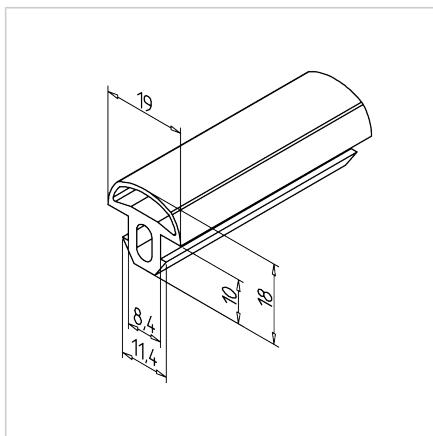
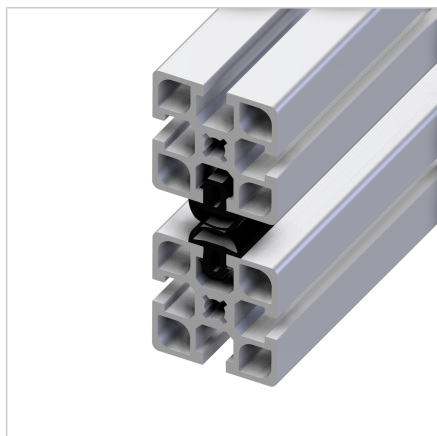


## SEALING LEDGE

Code: 221078/0

Sealing strip for doors, lids, and other aluminium constructions, providing effective protection against water, dust, and noise.

[Link to the product →](#)



### Technical data/items supplied

- NBR, black
- Hardness (Shore A) 70°
- Roll length 50 m
- Weight = 0.175 kg/m

### Applications

- Sealing of doors, lids and other constructions against water, dust and noise

### Assembly

- Press into profile groove
- 1. One-sided sealing: Gap width 6 - 8 mm
- 2. Double-sided sealing: Gap width 12 - 16 mm