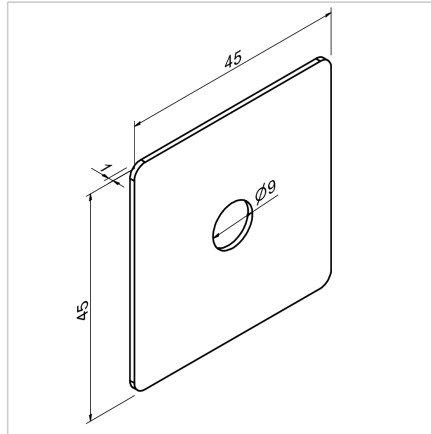
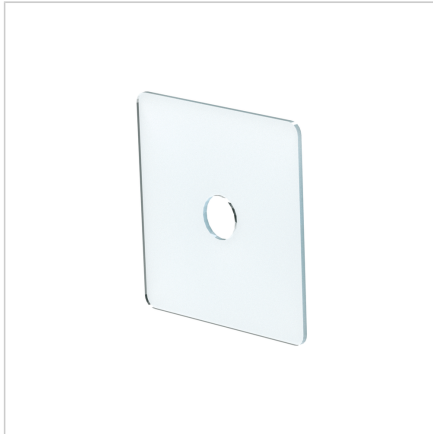


## SEALING PLATE 45 WITH OUT SLOT

Code: 241117/0

Sealing plate 45 without slot for sealing hollow chambers and protecting screw connections of aluminum profiles.

[Link to the product →](#)



### Technical data/items supplied

- made of silicone, transparent
- Weight = 0.001 kg/piece

### Applications

- For end face sealing of the hollow chambers when assembled with power-lock fastener
- For sealing a screw connection between two profiles, as shown in the figure.

### Assembly

- Use fixing material supplied to fix to the end face of the profile
- Is placed between the profiles, which are then screwed together