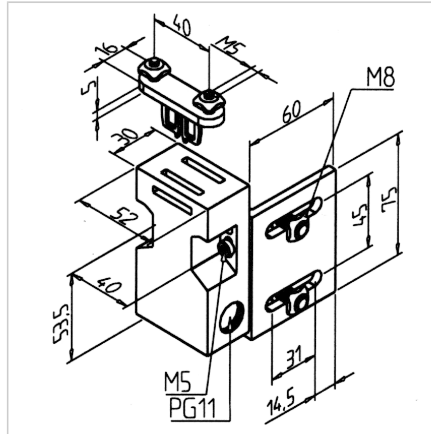
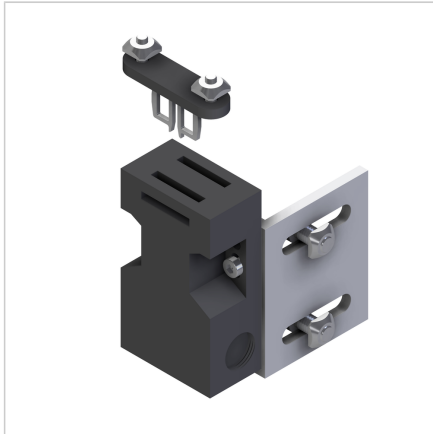


## SECURITY-SWITCH AZ 16 ZVR

Code: 211110/0

Security switch AZ 16 ZVRK for safe operation and rapid shutdown of machinery in industrial applications.

[Link to the product →](#)



### Technical data/items supplied

- Security switch, complete with switching pad, type B1, standard, IP 67
- 1 NC contact, 1 NO contact
- Fastening angle, aluminium, natural anodized
- Fastening kit
- Latching force 30 N
- Weight = 0.343 kg/piece

### Applications

- Protection for doors, lifting devices, panels in all types of protective installations
- Suitable for all 45er profiles

### Assembly

- Fasten with fastening material to profile groove
- Easy adjustment in x-, y- and z-axis by means of long holes in the angle-bracket
- For small radii, operating bars B2 **part no. 211110/2** or B3 **part no. 211110/3** use