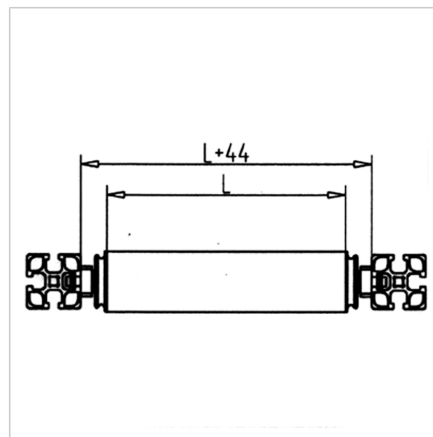
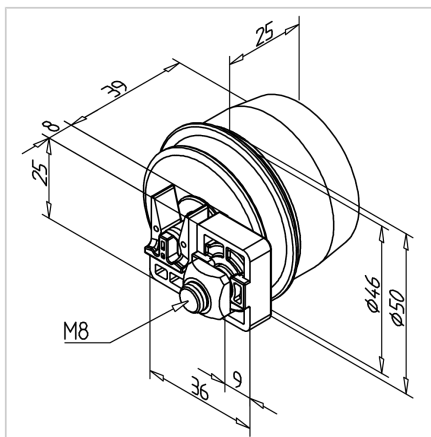


## SET LEŽAJEV ZA VALJ 36

Šifra: 211056/0

[Povezava do izdelka →](#)



### Tehnični podatki / vključeni artikli

- With fastening material steel, zinc plated
- Bearing bushing, PA 6
- Axle bolt, steel
- Roller carrier, PP grey
- For conveyor rollers from 60 - 1000 mm
- Load/roller max. 20 kg
- Max. tightening torque: 5 Nm
- Weight = 0.057 kg/piece

### Uporaba

- Roller tracks of unlimited length
- Drive via round belt  $\varnothing$  5 mm possible
- Roles are individually interchangeable
- The following is needed to make a conveyor roller:  
2x bearing set, ABS  
1x tube ABS, aluminium or stainless steel with appropriate length

### Navodila za uporabo / način montaže

- Assembly of the roller carrier on all profiles of profile series 45 possible
- Mount roller carrier to the profile
- Press bearing bush into the tube (deburr the inside of the tube generously for improved assembly)
- Insert axle bolt in bearing bush
- Clip in transport roller